

# Operable Partitions

*A flexible Space Solution*



**HUF COR**<sup>®</sup>

*shaping your experience*

# HUFCOR CONTENTS

|  |       |
|--|-------|
| HUFCOR .....                                     | 8-9   |
| HUFCOR TYPE 100 100K .....                       | 10-13 |
| HUFCOR moViSTA .....                             | 14-17 |
| PANEL TYPES /<br>TECHNICAL DETAILS .....         | 18    |
| LOCKING SYSTEMS .....                            | 19    |
| HUFCOR GLASS WALL PARTITIONS G3000 .....         | 20-25 |
| TRACK SYSTEMS /<br>PARKING POSITIONS .....       | 26-29 |
| SURFACES .....                                   | 30-33 |
| CERTIFICATION /<br>REPRESENTATIVE PROJECTS ..... | 34-35 |

In 1996, HUFCOR Inc, Janesville, WI – the world leader in flexible space management –established a subsidiary in Germany, Europe’s largest market for operable partitions. The selected location is the venerable World Cultural Heritage and Bauhaus City of Dessau. Gropius, Junkers and Kurt Weill are but a few world-renowned personalities who lived and worked in Dessau.

Production of patented Hufcor partitions commenced here in 1997. In the meantime, HUFCOR Deutschland GmbH is among the market leaders in Germany. Thousands of custom-designed panels are fabricated, delivered and installed every year.

The German market is serviced by professionally-trained space management consultants. Our team members will identify and prepare project-specific solutions jointly with you.

Well-trained and highly-motivated craftsmen, sales consultants and certified installation contractors, high product qualities, investments and innovations as well as our excellent after-sales service are the basis of our continuous growth. Smooth order processing is one of our strengths.

A large, modern building with a glass facade and a prominent vertical sign that reads "WORLD CULTURE". The building is a multi-story structure with a grid of windows. The sign is white and stands out against the grey facade. The sky is blue with some clouds. The building is part of the Bauhaus Dessau complex.

WORLD CULTURE

## HUFCOR TYPE 100 | 100K OPERABLE PARTITIONS

The uses of operable partitions are limitless: Hotels and convention centers, schools and kindergartens, banks and insurance firms, restaurants and student cafeterias, offices and conference rooms, gyms and dancing schools, community centers and auditoriums, shopping centers and museums, police and military training centers ...

HUFCOR operable partition systems should be your first choice when flexibility is your priority – a decision in favor of economic efficiency, product utility and customer value.

Distinguishing features of HUFCOR operable partitions include excellent quality and unparalleled, ease of movement. Our "Quick-Set" seal system is by far the swiftest and easiest way to manually operate partitions on the market today.

The broad range of overhead precision aligned aluminum tracks-free, ball-bearing rollers are becoming the preferred choice of numerous prestigious customer.

This innovative technology has earned the HUFCOR Group key supplier status of leading hotel chains. HUFCOR operable partitions have more than 6000 worldwide hotels systems installed throughout 115 countries.

Are you aware of any other manufacturers of operable partitions who can provide similar references?

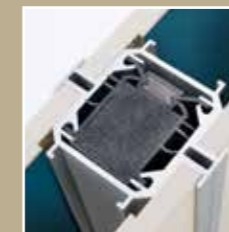


# HUFCOR TYPE 100 | 100K OPERABLE PARTITIONS

- 3 S "Quick-Set" mechanical locking seal system
  - Fast locking by a mere half turn
  - Stable due to high contact pressure
  - Safe through verified quality (TÜV)
- Smooth-running, extremely low-noise aluminum track system with ball-bearing-supported, wear-free Delrin® castors
- Low weight due to reinforced bolted aluminum frame
- ESS – all panels also with electric-driven sealing bar
- EI30 fire resistance available for Type 100
- Certified sound control up to 57 dB Rwp [tested sound insulation factor]
- Tension-locked panel connection with magnet straps
- Stainless-steel door latches and stainless-steel hinge straps
- Unlimited decor options
- TÜV DIN 31000 General principles for the safe design of technical products
- DIN 18032-3 Testing of safety against ball throwing



Panel connection TYPE 100 with tension-locked magnetic section



Panel connection TYPE 100K with visible aluminum edge



Aluminum casing with circumferential steel frame



Low weight due to high-tensile bolted aluminum frames



User-friendly panel handle for easy panel unfastening



Finger pinch protection 180° up to door leave height for strap and counter-strap



Stainless-steel door latch (gymnasium door fitting)



Stainless-steel door straps and adjustable mechanism for bottom door sealing

## HUFCOR moViSTA TRANSPARENCY COMBINED WITH SOUND CONTROL

Our operable glass movable wall, HUFCOR moViSTA, helps you provide aesthetic accents with sound performance. HUFCOR moViSTA allows both transparency and a high level of sound control – often two performance features that are contradictory

Slimline aluminum sections enable maximum light transmittance. Electronically controlled horizontal and vertical aluminum sealing systems enhance ease of use. Integrated magnetic sections ensure a tension locked panel connection. A safety circuit prevents unattended closure of the partition.

Combine glass moViSTA panels with solid wall panels and/or with pass doors and use the unlimited variety of our available decors. You create your designs – we implement your project.

Need Hufcor moViSTA panels with slatted blinds? No problem. Our engineers have developed a solution for this challenge to add privacy to the glass panels. moViSTA panels can include a remote control operator to rotate and turn the slats, including up & down movement into any desired position.

HUFCOR moViSTA movable wall are ideally suited to partition office spaces and conference rooms. But also in studios, community centers, hotels and schools, transparency and quietness ensure a pleasant, light-infused interior environment.

HUFCOR moViSTA partitions are an interior design highlight in any room decor.



# HUFCOR moViSTA TRANSPARENCY COMBINED WITH SOUND CONTROL

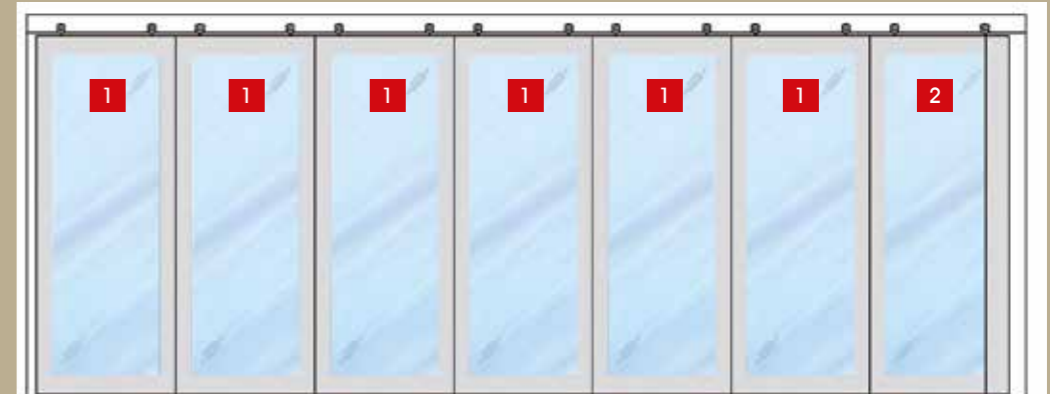
- Certified sound control up to 47 dB Rwp
- Aluminum sections in all RAL colors
- Unlimited combination options with any requested surface finish
- Remote-controlled slatted blinds in a large variety of colors
- Lever closure panels as glass panels
- Safety circuit with magnetic sensor
- Top & Bottom electrically activated seals extended in a matter of seconds
- Emergency battery powered operation
- Trouble-free motors 'Made in Germany'
- Panel height up to 4,00 m
- CE as defined in Machine Directive

## HUFCOR MOVISTA PANELS COMBINED WITH SLATTED BLINDS



- 1 moVista Standard panel    2 Standard panel    3 Door panel    4 Lever closure panel

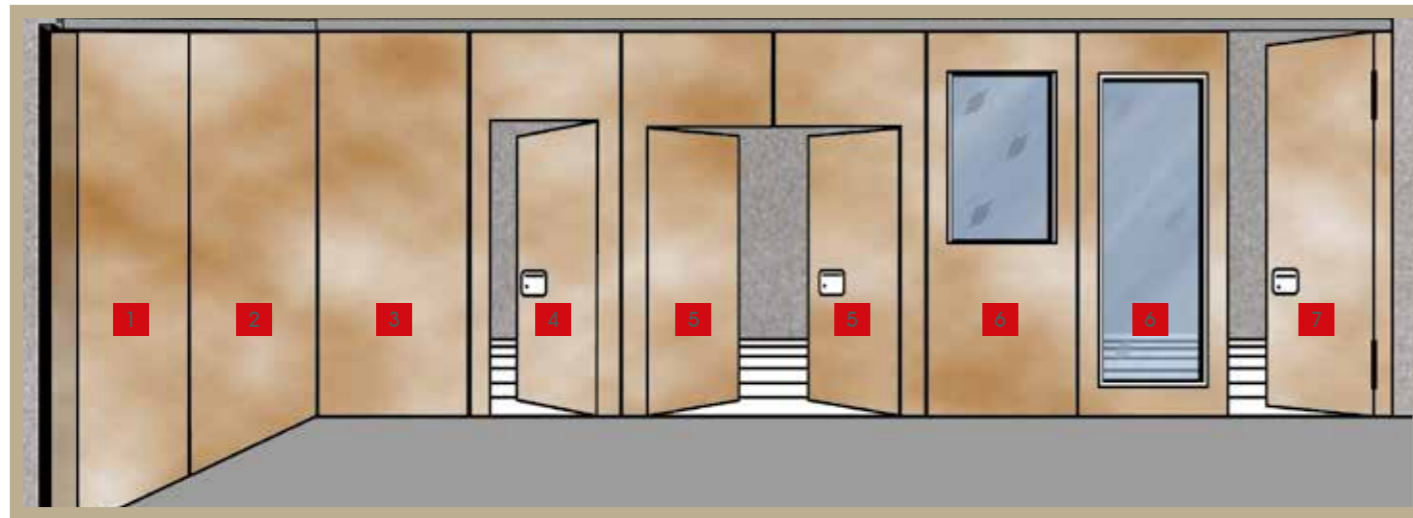
## HUFCOR moViSTA AS FULL GLASS WALL PARTITION, INCL. LEVER CLOSURE GLASS PANEL



- 1 moVista Standard panel    2 moVista Lever closure panel

# PANEL TYPES

## ALL KEY DATA AT A GLANCE



- 1 Lever closure panels (TE)
- 2 Corner panel (EE)
- 3 Standard panel (NE)
- 4 Pass door – single-leaf (DTE)
- 5 Pass door – double-leaf (DTZ)
- 6 Window panel (FE)
- 7 Fixed door (FT)

# TECHNICAL DETAILS

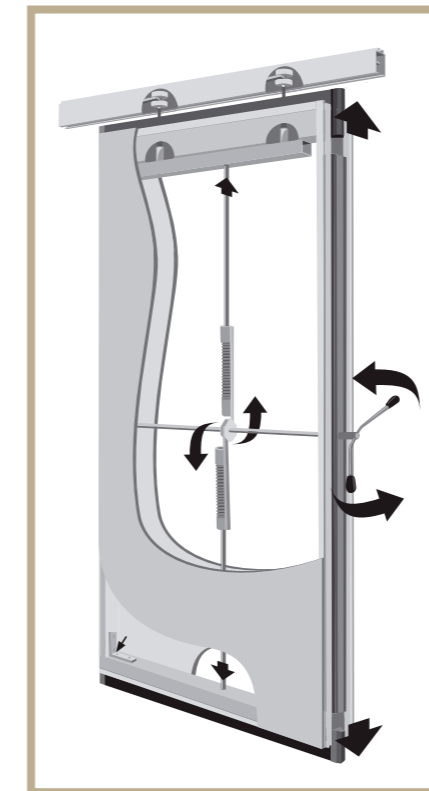
|                                       | Type 100                              | Type 100K                                   | moViSTA                                     |
|---------------------------------------|---------------------------------------|---|---|
| Panel thickness mm                    | 113                                   | 100   | 100   |
| Panel height max mm*                  | 13000                                 | 13000                                       | 4000  |
| Panel width max mm (recommended) 1320 | 1320                                  | 1320  | 1320  |
| Panel width min mm (recommended)      | 650                                   | 650   | 650   |
| Designs                               |                                       |   |   |
| Track systems - max Weight/Panel      | 1-point - 400 KG / 2-point - 680 KG   | 1-point - 400 KG / 2-point - 680 KG         | 2 point - 680 KG                            |
| Frames                                | Aluminum / steel                      | Aluminum / steel                            | Aluminum / steel                            |
| Surface boards / glass                | 16 / 19 mm                            | 16 / 19 mm                                  | ESG / VSG - 8 / 8,76 mm                     |
| Aluminum sections                     |                                       |   |   |
| Vertical and horizontal Sections      | E6 / EV1   anodized aluminum sections | E6 / EV1   anodized aluminum sections       | E6 / EV1   anodized aluminum sections       |
| Sealing bars                          | Black anodized aluminum sections      | Black anodized aluminum sections            | Black anodized aluminum sections            |
| Style                                 | No visible aluminum sections          | Visible aluminum sections (edge protection) | Visible aluminum sections (edge protection) |
| Operation                             | Manual / semi-automated               | Manual / semi-automated                     | Semi-automated                              |
| Pass doors                            | Single- or double-leaf                | Single- or double-leaf                      | Single- or double-leaf                      |
|                                       | Fixed                                 | Fixed                                       | Fixed                                       |
|                                       | Stainless-steel fittings              | Stainless-steel fittings                    | Stainless-steel fittings                    |
| Sound insulation (dB)                 | 39-57 RwP                             | 39-53 RwP                                   | 45 + 47 RwP                                 |

\* 17530 mm already installed (WORLD TRADE CENTER, South Korea)

# LOCKING SYSTEMS

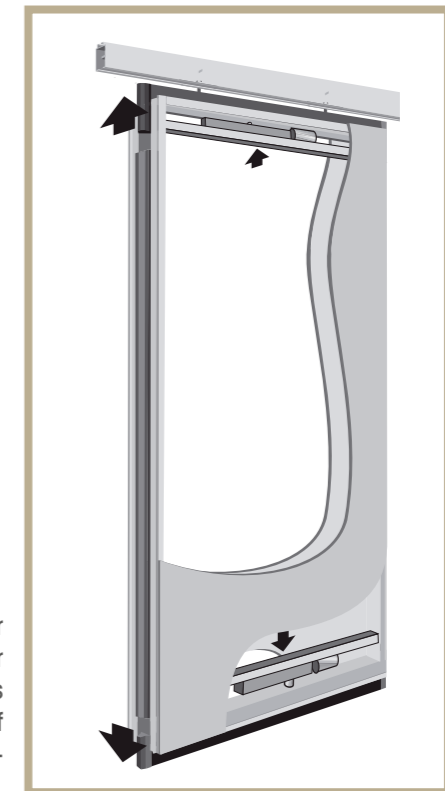
## SPEEDINESS + STABILITY

### 3-S Locking system



Quick-Set fastener enables opening or closing the panels with a mere half turn in only three seconds.

### HUFCOR ESS



Microprocessor-controlled lifting motors for automated panel opening and closing.

# SYSTEM SCHEMATIC SEMI-AUTOMATED ESS



- 1 Control box, incl. power pack & battery for emergency operation
- 2 Cabling, incl. shockproof plug, length 2m
- 3 Acoustic shielding of track system
- 4 Running gear casing (example)
- 5 Cabling 3x1,5mm<sup>2</sup>, fastened to acoustic shielding
- 6 Key-operated switch integrated into wall mounting
- 7 Contact between wall mounting/panel
- 8 Running gear casing with inspection opening (example)
- 9 Shockproof socket, 230 VAC, 6A, max. 2m from Control box inside running gear casing (example)



# HUFCOR G3000

## A CLEAR VIEW - OPERABLE GLASS WALL PARTITIONS

Transparency which creates a desire for more – in shopping arcades, banks, hotels, restaurants, cafeterias and schools. We design your vision into reality, wherever you wish for operable glass walls for your clients or staff members.

Very stylish, slimline aluminum sections safely support glass panes with using four concealed bolts, providing the ultimate safety catch for the glass. Unlike friction supported systems, Hufcor's glasswall designs reduce the hazard of 'sliding panes'.

Hufcor G3000 operable glass wall offer many door options, such as fixed, self-shutting doors or movable 360° double doors. Design your wall to your specifications. Aesthetic mushroom-head end caps of cast aluminum provide connections between panels.

Tempered or laminated safety glass. Sand-blasted or sateen finish. Painted or printed. The choice is yours.

We offer precise angular joints or polygonal systems.. Hufcor utilizes our experience from numerous successfully completed projects at your disposal. Our glasswall consultants will visit your site and provide an overview of the multi-faceted design options with our operable glass wall partition G3000.

The G3000 system offers you excellent opportunities to present your products as well an openness and transparency that will be appreciated by your clients.



# HUFCOR G3000

## A CLEAR VIEW - OPERABLE GLASS WALL PARTITIONS

A large variety of options are available with Type G3000 operable glass wall partitions. The Type G3000 are contemporary architecture as the panels create transparency and open light transmittance, for shopping concourses, entertainment center, bank lobbies, hotels and restaurants.

Operable glass wall partitions enhance nearly every decor.

### ATTACHMENT PARTS AND ACCESSORIES



Mushroom-head end caps and ball-bearing supported 360° door mechanism



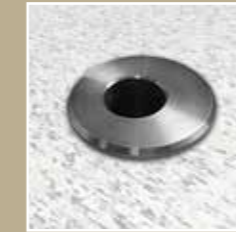
Bottom bearing for fixed doors



Lateral and front-side panel-connecting floor catch



Bolt lock with PZ rosette and stainless-steel striking plate



Eccentric stainless-steel floor sleeve



Horizontal brush section, top and bottom

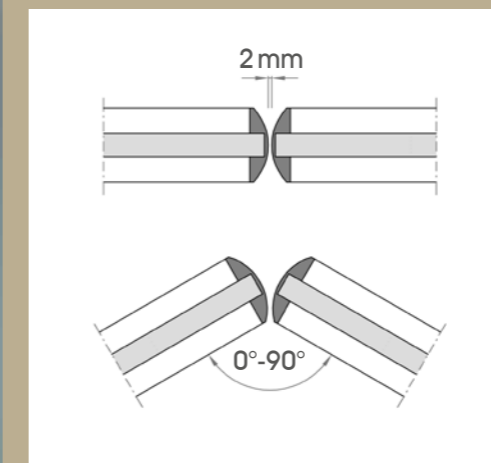


Door stopper with integrated magnetic clamp

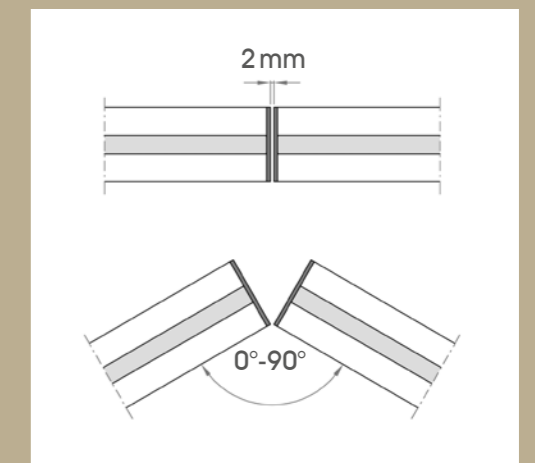


Vertical transparent plastic sealing strip clamp

### END CAPS



Mushroom-head injection molding end caps are particularly for polygonal partition systems



Flat stainless-steel end caps are form fitting transitions between aluminum sections

# HUFCOR G3000

## A CLEAR VIEW - OPERABLE GLASS WALL PARTITIONS



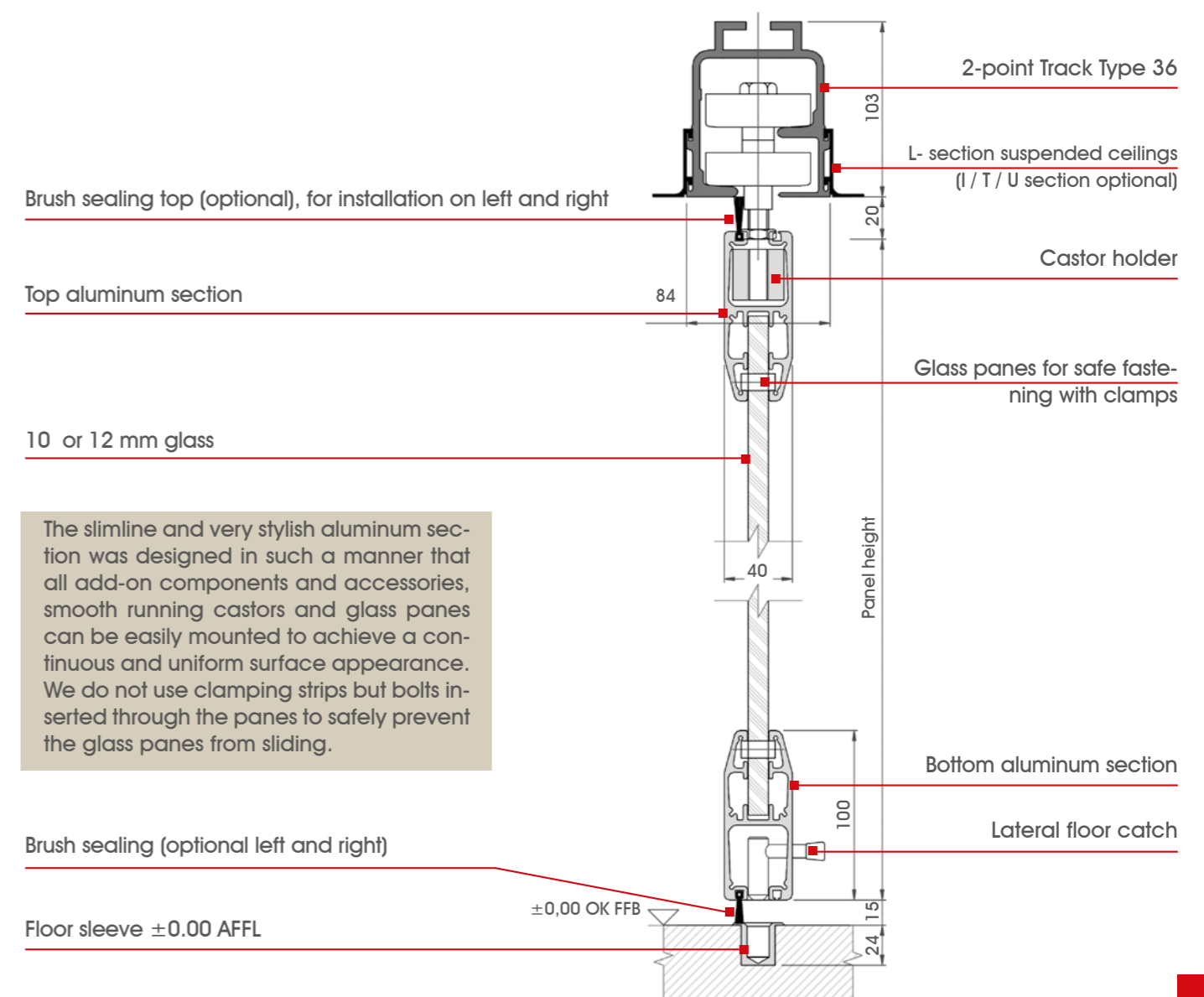
- 1 Sliding panel
- 2 Door panel
- 3 Anchor panel
- 4 Fixed door
- 5 360° Mechanism
- 6 Bolt lock
- 7 Floor-type door closer
- 8 Flat AL handle
- 9 Rod handle

|                          |  |
|--------------------------|--|
| Suspension               | 2-point (Type 36)  |
| Suspended AL sections    | I/L/T/U section  |
| Parking systems          | all 2-point parking positions  |
| Glass thickness in mm    | 10   12  |
| Panel width in mm        | 610...1250   |
| Panel height in mm       | ...5200  |
| Fixed door               | Installation next to each fixed panel and at beginning or end of a partition |
| Pass width in mm         | ...1250  |
| Displaceable pass door   | Consisting of door panel and anchor panel                                    |
| Door panel width in mm   | Max. 900   |
| Anchor panel width in mm | Door panel width + 320   |
| Top clearance            | 20 mm  |
| Bottom clearance         | 15 mm  |
| Brush-type sealing       | can be horizontally and vertically retrofitted                               |
| Panel locking            | By bolting to floor and to each other  |
| Section colors           | Standard E6/EV1 / upon request: coating in all RAL colors                    |
| HUFCOR standard handle   | FSB AL handle l=200mm  |
| Profile cylinder size    | PZ 30/30   |

# HUFCOR G3000

## PANEL CONFIGURATION

- ESG (tempered) and VSG (laminated) safety glass 10 mm and 12 mm
  - clear
  - sateen finish
  - colored
  - sand-blasted
  - printed
  - etched
- Glass edges beveled and polished
- 360° door mechanism for displaceable doors
- Combinable with fixed panels
- Upon request with vertical edge trims and horizontal brush-type trims
- High safety level (no friction clamping rails)
- No floor track
- 2-point roller system for easy movement
- Optional automatic floor-recessed door closer
- Panel-to-Panel floor locking as protection against forced opening and sliding
- TÜV tested



## TRACK SYSTEMS EASY HANDLING – HIGH CONVENIENCE

We provide a perfect system of aluminum tracks that can be combined with freely selectable ceiling support sections and enables panel weights up to 680 KG. Special structurally tested suspension constructions for the track system ensure a high level of safety.

The combination of ball-bearing supported castors and high-quality, abrasion-proof plastic material guarantees an operational performance of more than 160 km. This corresponds to a service life of over 30 years at several operation cycles per day.



Two-point track  
TYPE 36 to 450 kg  
per panel



One-point track  
TYPE 38 to 180 kg  
per panel

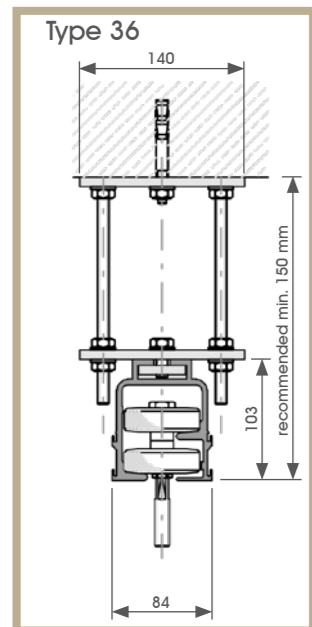


One-point track  
TYPE 40 to 400 kg  
per panel

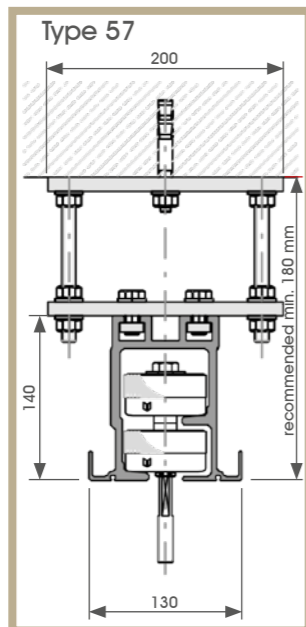


Two-point track  
TYPE 57 up to 680 kg  
per panel

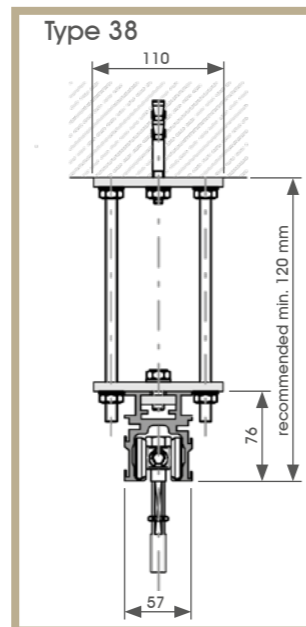




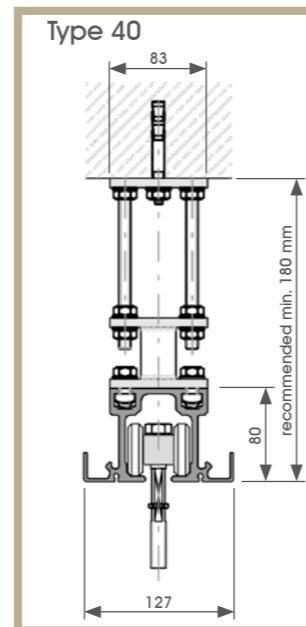
2-point track Type 36



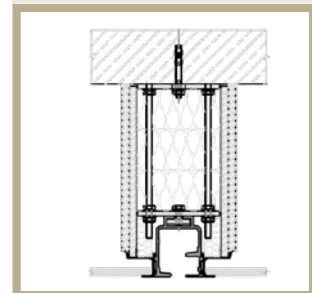
2-point track Type 57



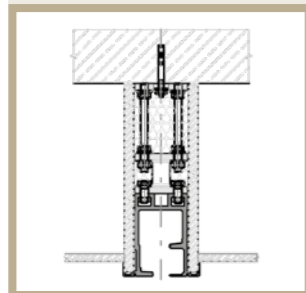
1-point track Type 38



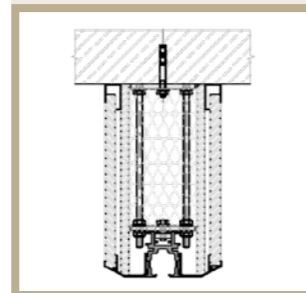
1-point track Type 40



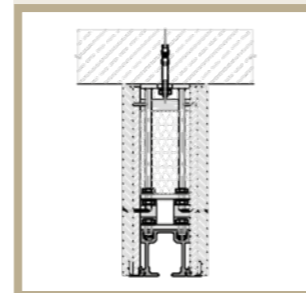
C section, double shielding, installation below concrete lintel



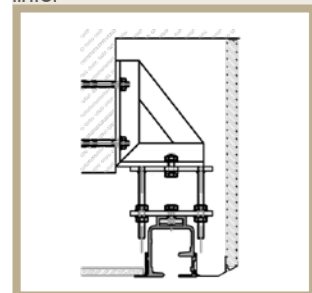
Single shielding, installation below concrete lintel



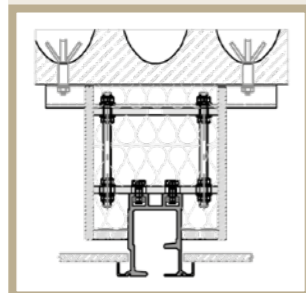
U section single shielding with track casing



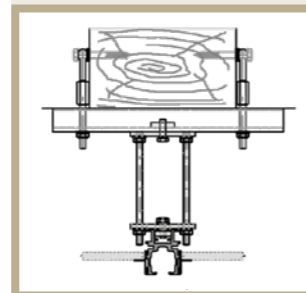
Single shielding and track casing



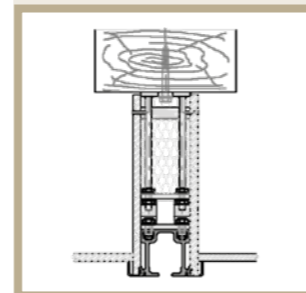
Installation with corbel, right hand: U section with track casing, left hand: L section



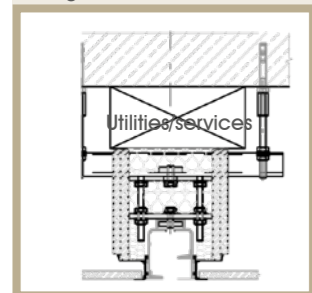
Hollow ceiling with mounting track and single shielding



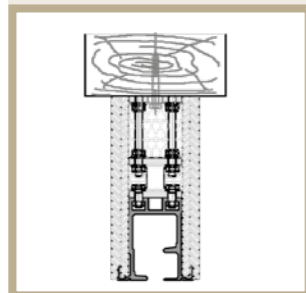
Lateral to wooden beam with mounting tracks



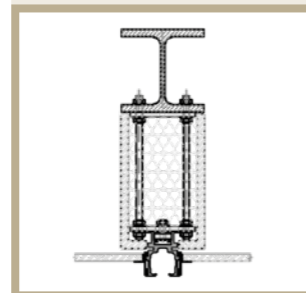
Single shielding below wooden beam



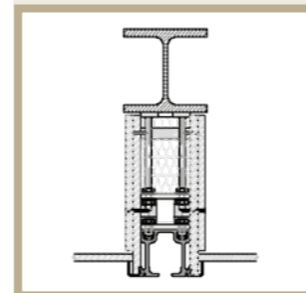
C section, double shielding with Mounting track



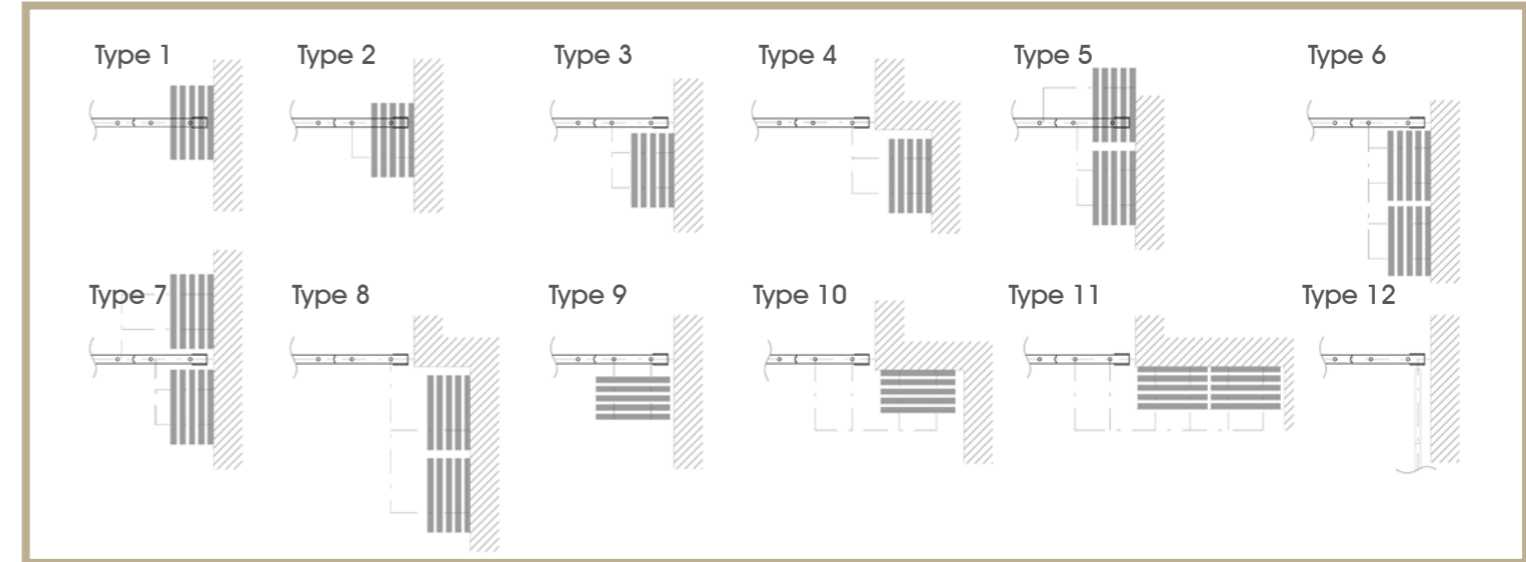
Wooden beam, single shielding with track casing



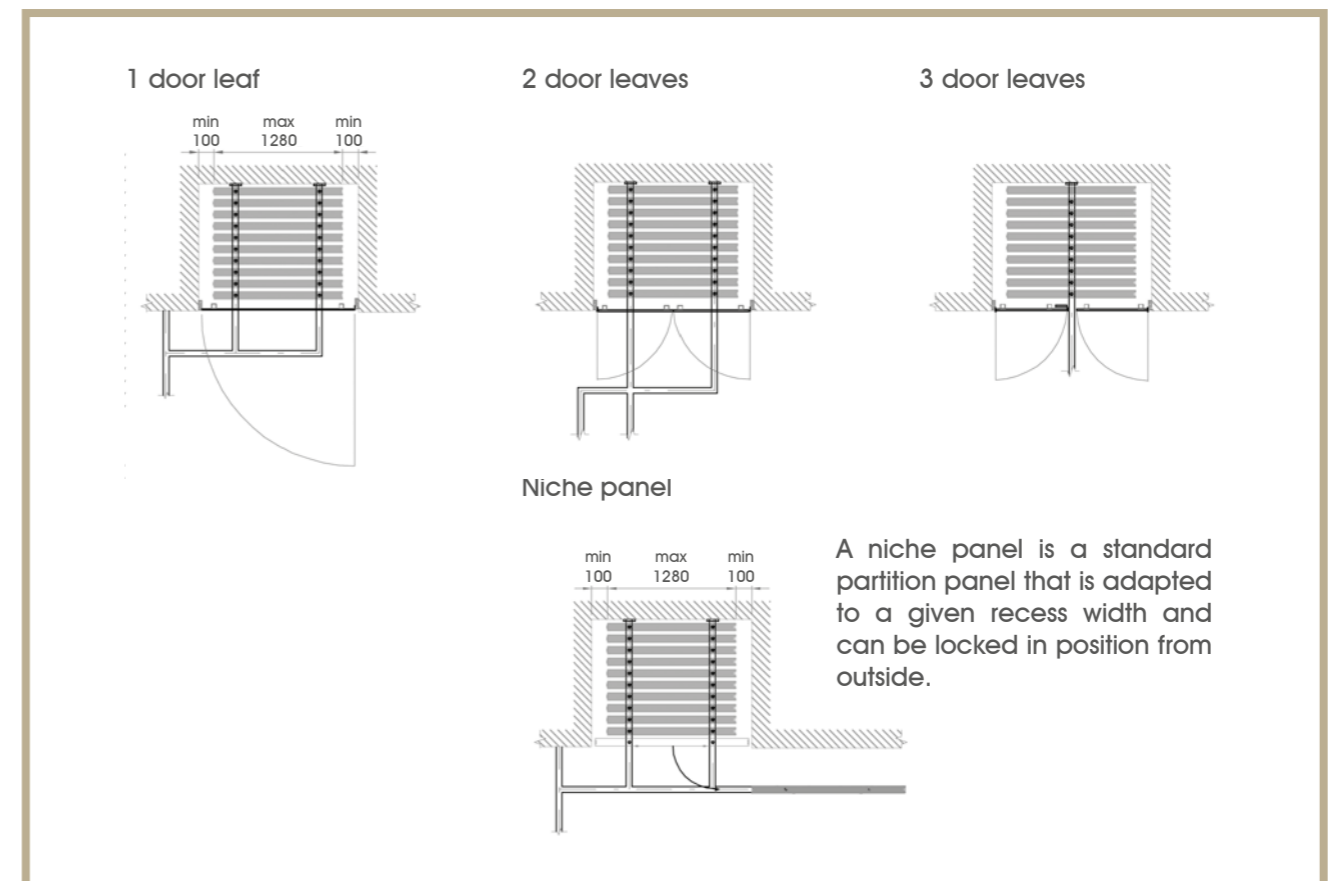
Single shielding at steel girder, bolted



double shielding at steel girder, welded



**SCHEMATIC DIAGRAM NICHE DOORS**



# SURFACES

## LARGE VARIETY OF FINISHES FOR CUSTOMIZED DESIGN

Hufcor's wide of range of available partition surfaces provides an unlimited degree of freedom for individual design solutions. Partition walls thus become style elements. Subtle or rich colors, matter-of-fact or natural character, purposeful or precious coating – our assortment of surface finish options will accommodate your every wish. Let your imagination fly! We will have the suitable decor for your project.

Surfaces of real wood, acoustic, digital print, mirror or sheet steel, or clad with carpet, wall-paper or cloth, or magnet-adhering, projectable and writable – we can design out-of-the-ordinary customer requests along with our standard offerings.



Mirror surface



Laminate surface



Cloth in veneer



Digital print



Wall-paper, cloth



Real wood veneer

# SURFACES

## REAL WOOD VENEER, ACOUSTIC SURFACES



### REAL WOOD VENEER

Each real wood veneer is a valuable naturally grown unique specimen that gives an individual character to operable partitions. Hufcor applies only the highest quality veneers.

The range of colors stretches from light birch veneer via reddish, vivacious cherry wood veneer, dark walnut to almost black wenge veneer. Up to 20 plates can be combined, depending on the type of wood. The high-quality veneers are typically custom designed, patterned matched and protected with UV acrylic enamel. Aesthetically pleasing and ultra durable.

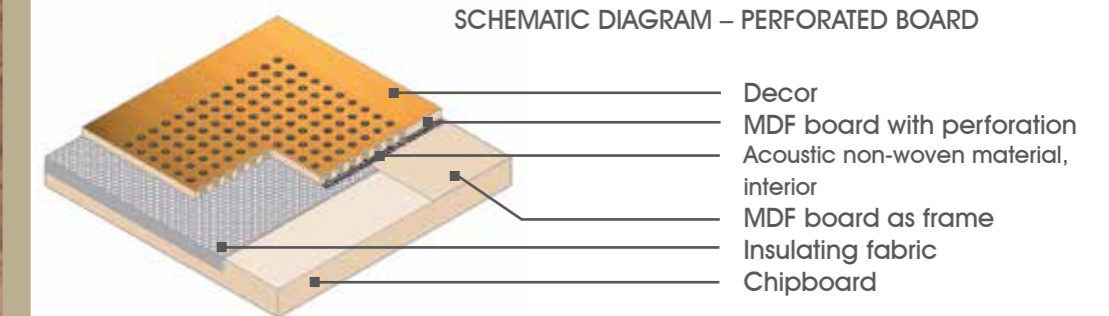


### ACOUSTIC SOUND-ABSORBING SURFACES

Contemporary architecture is very fond of using various reverberant materials, such as stone, concrete, glass and aluminum; hence, it is often necessary to employ sound absorbers to attain pleasant room acoustics.

Such sound-absorbing systems do not only have to fulfill technical requirements but also leave some leeway for architectural design. Acoustic surfaces may be perforated or slotted to absorb sound, but still maintain the acoustical functionality of the operable wall.

SCHEMATIC DIAGRAM – PERFORATED BOARD



Slotted acoustic boards



Different perforation sizes

# CERTIFICATION VERIFIED QUALITY



EG-Konformitätserklärung  
nach EG-Richtlinie 2006/42/EG  
(Maschinenrichtlinie)

Die **HUFCOR Deutschland GmbH**  
Triftweg 36  
06847 Dessau-Roßlau

erklärt als Hersteller, dass das nachfolgend genannte Produkt  
mit folgender Richtlinie übereinstimmt

Das nachfolgend genannte Normen und Vorschriften erfüllt:

DIN EN ISO 12100, DIN EN ISO 13849-1,  
DIN EN 1088, DIN EN 60204-1, DIN  
21000

Produkt, auf das sich diese Erklärung bezieht, ist durch

Fraunhofer Institut für Bauphysik  
hinsichtlich des Schalldämmmaßes  
nach DIN EN 20140-3 bis 64 dB,  
PÜZ MPA Leipzig hinsichtlich des  
Schalldämmmaßes nach DIN EN  
20140-3 - 67 dB,  
PÜZ MPA Leipzig hinsichtlich des  
Feuerwiderstandes nach DIN EN  
13657-2 als EI 30 und  
TÜV SÜD hinsichtlich der  
Ballwurficherheit  
nach DIN 18032-3

Prüfung:  
Raif Mehne

EG-Konformitätserklärung  
nach EG-Richtlinie 2006/42/EG  
(Maschinenrichtlinie)

Die **HUFCOR Deutschland GmbH**  
Triftweg 36  
06847 Dessau-Roßlau

erklärt als Hersteller, dass das nachfolgend genannte Produkt  
mit folgender Richtlinie übereinstimmt

Das nachfolgend genannte Normen und Vorschriften erfüllt:

DIN EN ISO 12100, DIN EN ISO 13849-1,  
DIN EN 1088, DIN EN 60204-1, DIN  
21000

Produkt, auf das sich diese Erklärung bezieht, ist durch

Fraunhofer Institut für Bauphysik  
hinsichtlich des Schalldämmmaßes  
nach DIN EN 20140-3 bis 64 dB,  
PÜZ MPA Leipzig hinsichtlich des  
Schalldämmmaßes nach DIN EN  
20140-3 - 67 dB,  
PÜZ MPA Leipzig hinsichtlich des  
Feuerwiderstandes nach DIN EN  
13657-2 als EI 30 und  
TÜV SÜD hinsichtlich der  
Ballwurficherheit  
nach DIN 18032-3

Prüfung:  
Raif Mehne

Registrierungsnummer 010\_056610

Beschleunigung über die  
**Präqualifikation**  
**Hufcor (Deutschland) GmbH**  
Triftweg 36  
06847 Dessau - Roßlau

Erstpräqualifikation am 12.09.2012  
Leistungsbereich:  
112-15 Tischerarbeiten

Das genannte Unternehmen wurde für den vorgenannten Leistungsbereich unter der  
o.ä. Registrierungsnummer präqualifiziert und ist in die Liste der präqualifizierten  
Unternehmen beim Verein für die Präqualifikation von Bauunternehmen unter  
[www.pq-verein.de](http://www.pq-verein.de) eingetragen.

Hinweis: Die Gültigkeit der Präqualifikation ergibt sich aus der aktuellen PQ-Liste  
Berlin, den 24.05.2016

Leiter PQ-Stelle  
Zertifizierungsstelle  
10117 Berlin  
www.pq-verein.de

nachfolgend vom Verein für die  
Präqualifikation von Bauunternehmen e.V.  
mit der Zustimmung von  
Präqualifikationsstellen  
PQ-Kommisionen etc.

PQ  
V O B

**Schalldämm-Maß nach DIN EN 20 140-3**

Antragsteller: Hufcor Deutschland GmbH  
Triftweg 36  
06847 Dessau

Prüfgegenstand:  
Zweischichtig, bewegliche Trennwand in Halbbauweise (Prüfobjekt 5 9330-19), Typ 7000  
je eine Blatte 1 bis 77 mit folgendem Aufbau:  
2,5 mm Schicht aus beschichteter Holzwerkplatte, flächenbezogene Masse: 11 kg/m² (Herstellerangabe)  
68 mm Schicht aus Mineralwolle (Herstellerangabe), flächenbezogene Masse: 13,0 kg/m²  
Auftraggeber: Hufcor Deutschland GmbH, Bauplanung nach Herstellerangabe ca. 50 kg/m², bzw.  
16 mm  
2,5 mm Schicht aus beschichteter Holzwerkplatte, flächenbezogene Masse: 10,0 kg/m² (Herstellerangabe)  
16 mm Schicht aus beschichteter Holzwerkplatte, flächenbezogene Masse: 11 kg/m² (Herstellerangabe)  
Die Trennwand besteht aus 2 Normal-Elementen und einem Teilsip-Element mit aufnehmbarem Hohlblech  
flächenbezogene Masse (nach Hersteller): 46,5 kg/m² + Rahmen und Mechanik

Weitere Beschreibungen und technische Daten zur Aufhängung der Elemente, zur Art der Dämmung und  
sowie den Hohlraum mit 5,5 mm, die Elemente beidseitig geriffelt mit 2,1 mm bzw. 5,5 mm  
Schichtstärke beschwert.

Prüfgröße: 10,37 m²  
Prüfvolumen: V<sub>1</sub> = 50,6 m³  
V<sub>2</sub> = 62,3 m³  
Zustand: Prüfstand  
Art: Prüfstand  
Maximaldämmung des Prüfstandes: R<sub>max</sub> = 75 dB  
Prüfbedingungen:  
rel. Feuchte: 64 %  
Temperatur: 23 °C  
Prüfschall: Rose Rauschen  
Prüfdatum: 26. Aug. 2003

Bewertetes Schalldämm-Maß  
nach DIN EN ISO 717-1  
R<sub>w</sub> (C<sub>w</sub>; C<sub>w</sub> max) =  
34 (-2; -6; -1; 4) dB

Die Prüfung wurde in einem Prüfzentrum des IPF durchgeführt, das nach DIN  
ISO/IEC 17025 durch die DAF mit der Nr. DAPlA-1215.17 akkreditiert  
Prüfzertifikat: i.v. H. Straß

**ZERTIFIKAT**  
Nr. B 04 04 30846 002

Zertifizierinstanz: **HUFCOR Deutschland GmbH**  
Triftweg 36  
06847 Dessau  
Dessau-Roßlau

Produktions-  
stätte(n):  
30046

Prüfzeichen:

Produkt:  
Mobile Trennwände  
Modell(n):  
Typ 108 und Typ 7700,  
Typ 108K und Typ 7000

Kenndaten:  
Typ 108 und 7700  
Höhenbreite: 110 mm  
Breite: 1000 mm  
Bauweise: 1000 mm  
Material: Holzwerkplatte  
Dämmung: 1 oder 2 Punkte

Typ 108K und 7000  
Höhenbreite: 100 mm  
Breite: 1000 mm  
Bauweise: 1000 mm  
Material: Holzwerkplatte  
Dämmung: 1 oder 2 Punkte

\* Bei den Modellnummern handelt es sich um  
Hersteller-Modellnummern  
DIN 21000-1079  
DIN 18032-3 1987

Geprüft nach:  
Das Produkt wurde auf Hersteller Basis auf die Einhaltung der grundlegenden Anforderungen  
gemäß und liegt mit allen oder abgeleiteten Prüfungen geprüftermaßen vor. Umgelegt  
Hilfskennlinie:  
7007800

Datum: 2004-03-23  
Seite 1 von 1

TUV PRODUCT SERVICE GMBH - Zertifizierungsstelle - Bismarckstrasse 65 - D-80333 München  
Grazwag 100 Südamericastrasse

**ZERTIFIKAT**  
Nr. B 04 04 30846 003

Zertifizierinstanz: **HUFCOR Deutschland GmbH**  
Triftweg 36  
06847 Dessau  
Dessau-Roßlau

Produktions-  
stätte(n):  
30046

Prüfzeichen:

Produkt:  
Mobile Trennwände  
Modell(n):  
Typ G 3600

Kenndaten:  
Typ:  
Höhenbreite: 0 3600  
Breite: 1000 mm  
Dämmung: 1000 mm  
Material: Holzwerkplatte  
Klasse: 1 oder 2 Punkte

Geprüft nach:  
DIN 21000-1079  
DIN 18032-3 1987

Das Produkt wurde auf Hersteller Basis auf die Einhaltung der grundlegenden Anforderungen  
gemäß und liegt mit allen oder abgeleiteten Prüfungen geprüftermaßen vor. Umgelegt  
Hilfskennlinie:  
7007800

Datum: 2004-03-23  
Seite 1 von 1

TUV PRODUCT SERVICE GMBH - Zertifizierungsstelle - Bismarckstrasse 65 - D-80333 München  
Grazwag 100 Südamericastrasse



**HUFCOR Deutschland GmbH**  
Triftweg 36 | 06847 Dessau-Roßlau

phone +49 340 540 796-0  
info@hufcor.de | [hufcor.eu](http://hufcor.eu)



Satz und Layout by p | idea WERBEGENTUR GmbH / 03-2018



**HUFCOR<sup>®</sup>**

*shaping your experience*